

NOTES

.....

.....

.....

.....

.....

.....

VI.BE.MAC S.p.A.

Società soggetta a direzione e coordinamento di Jack Europe S.à.r.l.

Via Monte Pastello, 7/i - 37057 S. Giovanni Lupatoto (VR) Italy

Tel. +39 045 8778151/52 - sales@vbm-grp.com, customercare@vbm-grp.com

www.vbmgroup.it - www.vibemac.com



BASIC LINE

CATALOGUE 2020





ONE-D

SINGLE NEEDLE LOCK STITCH UNIT WITH DROP FEED

Vi.Be.Mac. ONE-D (B1D) is a single needle drop feed lockstitch machine, designed for heavy fabric.

FEATURES

- **Direct drive ac servo motor:** power saving and less vibrations
- **Programmable sewing operation:** more flexibility for every style and quality need
- **Automatic foot lifter:** better handling and efficiency for operators work
- **Automatic thread cutter:** higher efficiency, clean cut and thread saving
- **Double capacity bobbin:** half bobbin changes, double efficiency
- **Extra presser foot lift:** greater flexibility for heavier fabrics and multiple layers
- **Four language menu:** operators and technicians friendly
- **Reverse button on machine head:** possibility to undo the last stitch by reversing the sewing rotation without the need for manual operations
- **Integrated bobbin winder:** better handling and efficiency for operators work
- **Integrated adjustable led:** to improve operators comfort
- **Complete with strong table and stand:** high quality manufacturing

OPTIONALS

- **Thread cleaning kit with suction:** for a clean sewing and precise cut
- **Compensatory presser foot:** more operations and higher quality

Thread No.	Max speed	Needle	Stitch Length
2	3000 rpm	DPx5 18-21#	4.5 mm
Presser foot lifting heigh	Sewing area	Dimension	Weight net/gross
5-12 mm	262 x 128 mm	645 x 248 x 550 mm	40/46 kg



Extra presser foot lift

Large hook / double bobbin

Thread cleaning kit with suction



Thread cleaning kit with suction

For a clean and smooth sewing on both sides on denim and heavy fabrics **(optional)**



Extra presser foot lift

With extra heavy fabrics or multiple layers, it guarantees a perfect sewing quality and a flawless result



Large hook / double bobbin

Thanks to the large hook and the double bobbin capacity, changes are reduced with higher productivity



FAST AND STABLE



INNOVATIVE CUTTING SYSTEM



EASY TO OPERATE



ONE-N

SINGLE NEEDLE LOCK STITCH UNIT WITH NEEDLE FEED

Vi.Be.Mac. ONE-N (B1N) is a single needle, needle feed lockstitch machine designed for heavy fabric. Needle feed mechanisms prevents offset layers and puckering. The B1N is designed with "Semi-Dry" lubricating oil system technology.

FEATURES

- **Direct drive AC servo motor:** power saving and less vibrations
- **Programmable sewing operations:** more flexibility for every style and quality need
- **Automatic foot lifter:** better handling and efficiency for operators work
- **Automatic thread cutter:** higher efficiency, clean cut and thread saving
- **Needle feed:** prevents offset layers and puckering for a perfect sewing quality
- **Double capacity bobbin:** half bobbin changes, double efficiency
- **Extra presser foot lift:** greater flexibility for heavier fabrics and multiple layers
- **Four language menu:** operators and technicians friendly
- **Reverse button on machine head:** possibility to undo the last stitch by reversing the sewing rotation without the need for manual operations
- **Semi-dry oil system:** precise lubrication only in necessary points with a considerable oil saving
- **Integrated bobbin winder:** better handling and efficiency for operators work
- **Integrated adjustable led:** to improve operators comfort
- **Complete with strong table and stand:** high quality manufacturing

OPTIONALS

- **Thread cleaning kit with suction:** for a clean sewing and precise cut
- **Compensatory presser foot:** more operations and higher quality

Thread No.	Max speed	Needle	Max stitch Length
2	3000 rpm	DPx5 21#	4.5 mm
Presser foot lifting height	Sewing area	Dimension	Weight net/gross
5-12 mm	262 x 128 mm	645 x 248 x 550 mm	40/46 kg

Reverse button on machine head and presser foot

Double capacity bobbin

Thread cleaning kit with suction



Thread cleaning kit with suction
For a clean and smooth sewing on both sides on denim and heavy fabrics **(optional)**



Reverse button on machine head and presser foot
Possibility to undo the last stitch by reversing the sewing rotation without the need for manual operations



Double capacity bobbin
Thanks to the double capacity bobbin the downtimes are drastically reduced and productivity increased

STRETCH FABRIC APPROVED

INNOVATIVE CUTTING SYSTEM

CLEAN FINISH



OVER5

FIVE THREAD OVERLOCK UNIT

Vi.Be.Mac. OVER5 (BO5) is a new and powerful overlock designed for heavy fabric: double guide for needle bar. The BO5 comes standard with a front and rear pneumatic suction device that greatly improves the cleanliness of the machine and workspace.

FEATURES

- **Direct drive servo motor:** power saving and less vibrations
- **Intelligent fabric recognition system:** higher productivity with a better handling for operators
- **Automatic pneumatic foot lifter:** better handling and efficiency for operators work
- **Automatic pneumatic thread cutter:** perfect solution for heavy fabrics and threads
- **Full automatic/semi automatic/manual operation modes**
- **Double support needle bar:** double support on the needle bar to perform at max speed with the highest quality on heavy fabrics
- **Differential feed:** high quality sewing
- **Speed 6000 rpm:** high productivity
- **5 Threads**
- **Four language menu:** operator and tech friendly
- **Integrated adjustable led:** to improve operators comfort
- **Pneumatic suction device included:** keep the unit always clear, less maintenance required
- **Complete with strong table and stand:** high quality manufacturing
- **Needle bar specifically made for denim**

Max speed	Max stitch length	Sewing width	Differential ratio	Presser foot stroke
6000 rpm	5 mm	5x6 mm	0.8-15	7 mm
Needle	Needle quantity	Needle distance	Dimension	Weight net/gross
DCx27 19#	2	5 mm	525x 360x640 mm	33/44 kg



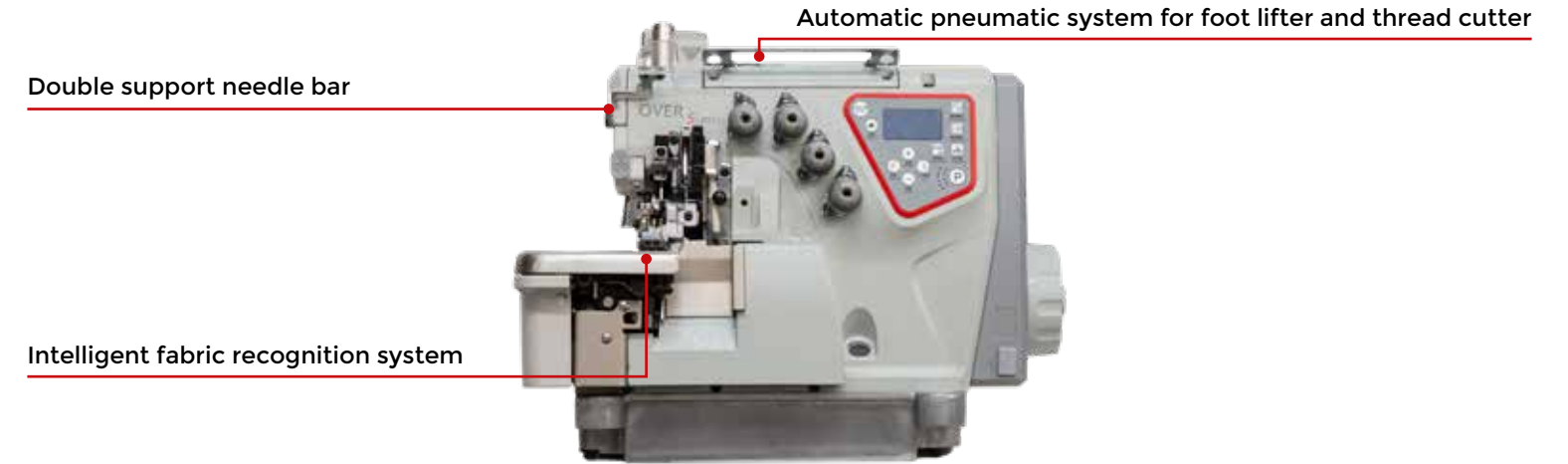
INNOVATIVE



SEWING QUALITY



HIGH SPEED



Double support needle bar

Double support on the needle bar to perform at max speed with the highest quality on heavy fabrics



Automatic pneumatic system for foot lifter and thread cutter

It grants the workability on the heaviest denim fabrics and treads' sizes



Intelligent fabric recognition system

3 different settings with a photocell granting the max comfort to the operator and styles' flexibility



BART

COMPUTER-CONTROLLED HIGH SPEED BARTACK UNIT

Vi.Be.Mac. BART (BT) is a high-speed electronic tacker designed to sew tacks and other patterns (with 100 already pre-programmed in memory) on heavy fabrics.

FEATURES

- **Direct drive AC servo motor:** power saving and less vibrations
- **100 pre-programmed patterns:** more flexibility
- **User programmable patterns:** more flexibility
- **Automatic foot lifter:** better handling and efficiency for operators work
- **Automatic thread trimmer for heavy duty:** higher efficiency, clean cut and thread saving
- **Adjustable intermediate height presser foot position:** it helps the operator to achieve perfect centering (the foot also has an intermediate position, not just high and low. It helps the operator to better center the fabric)
- **Large hook/bobbin system:** less bobbin changes, higher productivity
- **Needle air cooling:** to avoid needle breakage and thread burn
- **Speed 3000 rpm:** high productivity
- **Double pair presser foot:** 1/2-1/2, 1/3-2/3: more flexibility and more operations with perfect quality
- **Integrated bobbin winder:** better handling and efficiency for operators work integrated adjustable led to improve operators comfort
- **Complete with strong table and stand:** high quality manufacturing

OPTIONALS

- **Electronic adjustable thread tension:** it allows the programming of the tension of the 1st stitch. If combined with the LCD panel (optional) or with PC programming software (optional) it allows to programme the tension of all the stitches
- **LCD display**
- **PC programming software**

Needle system	Max sewing speed	Max sewing area	Presser foot lift	Type of stitches	Max sewing patterns	Dimension	Weight net/gross
DPx17 19#	3000 rpm	40x30mm	13 mm	100	200	805x405x520 mm	55/61 kg

Automatic foot lifter



Electronic adjustable thread tension

Large hook / bobbin system



Electronic adjustable thread tension

This device allows the programming of the tension of the 1st stitch
(optional)



Automatic foot lifter

Higher flexibility in foot lifter settings that guarantees a better handling and efficiency for operators work



Large hook / bobbin system

Thanks to the large hook the bobbin changes are reduced with higher productivity



FLEXIBLE



HIGH SPEED



CLEAN FINISH



TWO-F

DOUBLE NEEDLE LOCK STITCH UNIT WITH FIX BAR

Vi.Be.Mac. TWO-F (B2F) is a double needle lockstitch sewing machine with fix bar designed for heavy fabric. The B2F is designed with "Semi-Dry" lubricating oil system technology. The fixed bar guarantees always regular and perfect parallel stitch length. Standard needle gauge 1/4" (6,4mm).

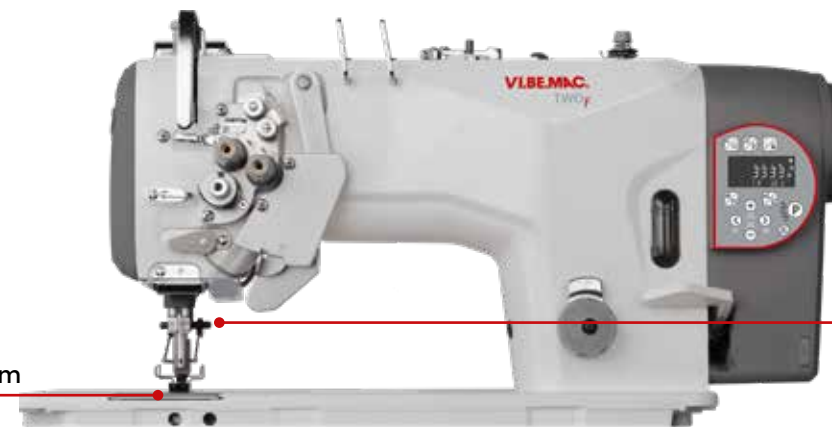
FEATURES

- **Direct drive AC servo motor:** power saving and less vibrations
- **Programmable sewing operations:** more flexibility for every style and quality need
- **Dual needle feed system:** prevents offset layers and puckering
- **Automatic foot lifter:** better handling and efficiency for operators work
- **Automatic thread cutter:** higher efficiency, clean cut and thread saving on heavy duty
- **Automatic bartacking:** automatic stitches tie-off for the best sewing result
- **Large hook/bobbin system:** greater flexibility for heavier fabrics and multiple layers
- **Four language menu:** operator and tech friendly
- **Integrated bobbin winder:** better handling and efficiency for operators work
- **Integrated adjustable led:** to improve operators comfort
- **Complete with strong table and stand:** high quality manufacturing

OPTIONALS

- **Different needle gauge:** 1/8" (3.2mm), 3/16" (4.8mm), 5/16" (7.9mm), 3/8" (9.5mm), 7/16" (11.1mm), 1/2" (12.7mm), 5/8" (15.9mm), 7/8" (22.2mm), 1" (25.4mm)

Needle type	Max stitch length	Needle distance	Presser foot stroke	Max speed	Dimension	Weight net/gross
DPx5 11-16#/14-22#	7 mm	6.4 mm	7-13 mm	3000 rpm	725x320x675 mm	53/63 kg



Large hook / bobbin system

New cutting system



Large hook / bobbin system

Thanks to the large hook the bobbin changes are reduced with higher productivity



New cutting system

Cutting system ready for heavy duty, it guarantees a clean cut and thread saving



FAST AND STABLE



INNOVATIVE CUTTING SYSTEM



EASY TO OPERATE



TWO-S

DOUBLE NEEDLE LOCK STITCH UNIT WITH SPLIT BAR

Vi.Be.Mac. TWO-S (B2S) is a double needle lockstitch sewing machines split bar for heavy fabric. The B2S is designed with "Semi-Dry" lubricating oil system technology. Standard needle gauge 1/4" (6,4mm).

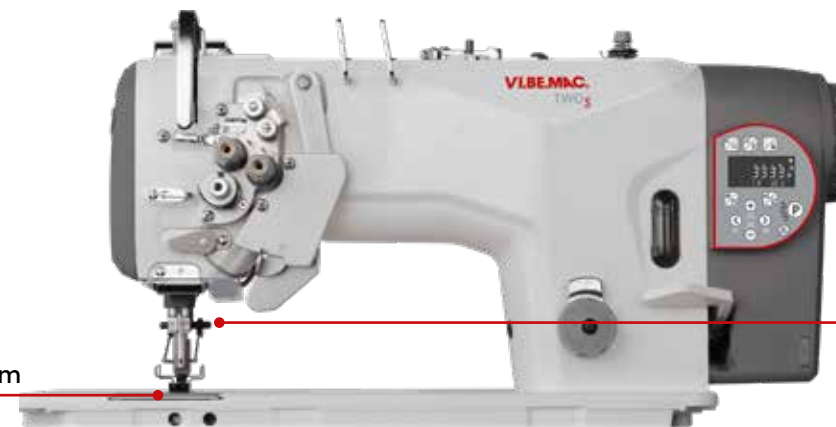
FEATURES

- **Direct drive AC servo motor:** power saving and less vibrations
- **Programmable sewing operations:** more flexibility for every style and quality need
- **Dual needle feed system:** prevents offset layers and puckering
- **Automatic foot lifter:** better handling and efficiency for operators work
- **Automatic thread cutter:** higher efficiency, clean cut and thread saving on heavy duty
- **Automatic bartacking:** automatic stitches tie-off for the best sewing result
- **Large hook/bobbin system:** greater flexibility for heavier fabrics and multiple layers
- **Four language menu:** operator and tech friendly
- **Integrated bobbin winder:** better handling and efficiency for operators work
- **Integrated adjustable led:** to improve operators comfort
- **Complete with strong table and stand:** high quality manufacturing

OPTIONALS

- **Different needle gauge:** 1/8" (3.2mm), 3/16" (4.8mm), 5/16" (7.9mm), 3/8" (9.5mm), 7/16" (11.1mm), 1/2" (12.7mm), 5/8" (15.9mm), 7/8" (22.2mm), 1" (25.4mm)

Needle type	Max stitch length	Needle distance	Presser foot stroke	Max speed	Dimension	Weight net/gross
DPx5 11-16#/14-22#	7 mm	6.4 mm	7-13 mm	3000 rpm	725x320x675 mm	53/63 kg



Large hook / bobbin system

New cutting system



Large hook / bobbin system

Thanks to the large hook the bobbin changes are reduced with higher productivity



New cutting system

Cutting system ready for heavy duty, it guarantees a clean cut and thread saving



FAST AND STABLE



INNOVATIVE CUTTING SYSTEM



EASY TO OPERATE